

Series NYD

High force and multiple positioning cylinder, double acting

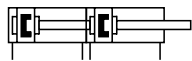
Technical details

Operating pressure	1 ... 10 bar
Temperature range	-20°C ... +80°C
Medium	Filtered, oil-free and dried compressed air according to ISO 8573-1:2010, Class 7:2:4, instrument air, free of aggressive additives. Alternatively the pressure dew point must be at least 10°C below lowest occurring ambient temperature.
Materials	Cylinder tube: Al (anodized) End caps: Al-die-cast (painted) Piston rod: stainless steel Seals: PU, NBR (optional FKM)
	Cylinders in accordance with 2014/34/EU (ATEX) available. (Chapter 13)

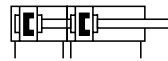


A back to back mounting of cylinders with same piston diameter is available up to 4 positions.
Combining 2 to 3 cylinders with same piston diameter but different stroke lengths provides a max. of 4* positions.
Multiplying the force will be achieved by adding several cylinders with same diameter and same stroke length.

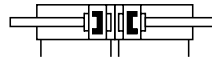
Versions



NYDKx
high force cylinder, double acting,
built-in cushioning rings,
with magnetic piston, x-times force



NYMy
multiple positioning cylinder, double acting,
built-in cushioning rings,
with magnetic piston, y+1 positions



NYR2
multiple positioning cylinder, double acting,
built-in cushioning rings, with magnetic piston

Order code

Series		Versions	
NYDK2	high force cylinder, 2 x force	without	only NYM2 and NYM3
NYDK3	high force cylinder, 3 x force	200	standard version, male thread
NYDK4	high force cylinder, 4 x force	210	standard version, female thread
NYM2	multiple positioning cylinder, 2 strokes, 3 positions	Stroke (mm) XXX XXX XXX stroke 1, stroke 2, stroke 3**	
NYM3	multiple positioning cylinder, 3 strokes, 4 positions		
NYR2	multiple positioning cylinder, 2 strokes, 4 positions	**stroke 2 and stroke 3 only for multiple positioning cylinder	
AG*	piston rod male thread		
IG*	piston rod female thread		
Piston Ø			
020	20 mm		
025	25 mm		
032	32 mm		
040	40 mm		
050	50 mm		
063	63 mm		
080	80 mm		
100	100 mm		

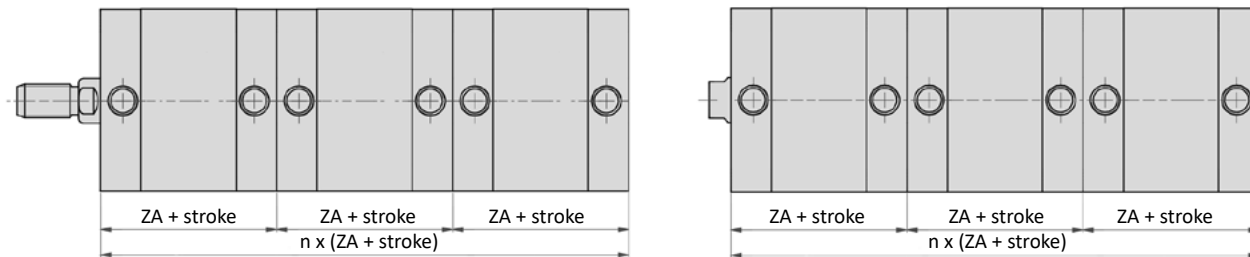
* only for NYM2 and NYM3

Series NYD

High force and multiple positioning cylinder, double acting

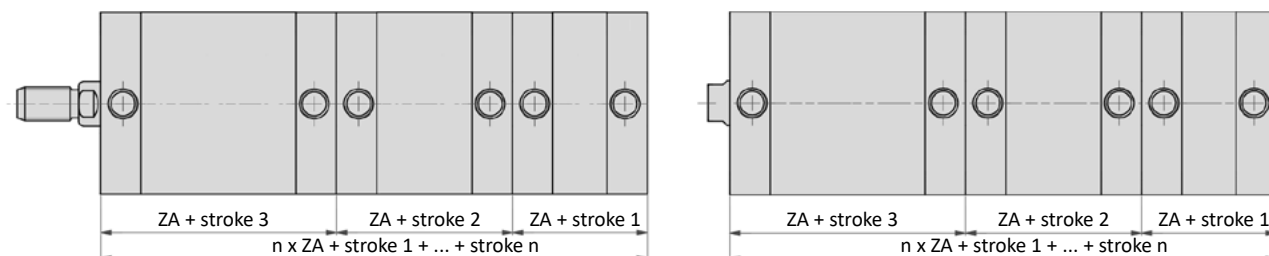
Dimensions series NYD (versions NYDK, NYM, NYR)

Version NYDK



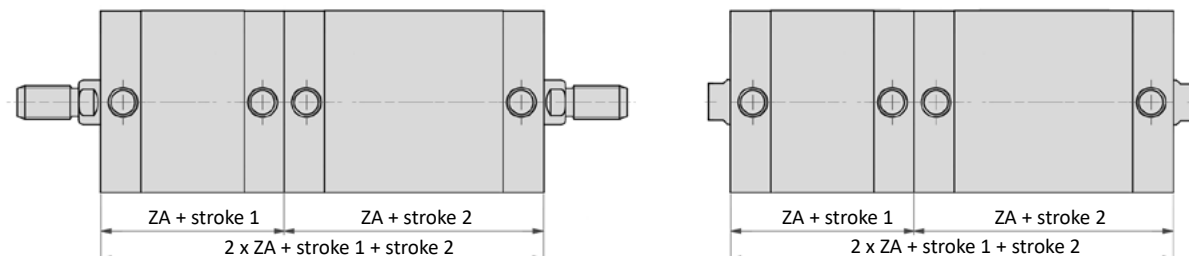
! For cylinder applications for NYDK3 and NYDK4 check mounting advices with our technical department.

Version NYM



! stroke 3 (max. total stroke) > stroke 2 > stroke 1

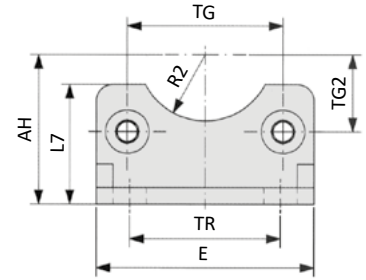
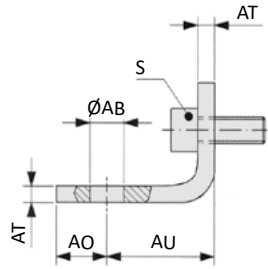
Version NYR



Piston Ø (mm)	20	25	32	40	50	63	80	100
ZA	37	39	44	45	45	49	54	67
Weight (kg)								
0 mm stroke (-200/-AG)	0.286	0.351	0.480	0.597	0.888	1.278	2.136	3.605
0 mm stroke (-210/-IG)	0.274	0.339	0.457	0.574	0.852	1.242	2.066	3.534
Zuschlag pro Stufe (ab 3.)	0.143	0.173	0.240	0.296	0.417	0.617	1.070	1.812
each 10 mm stroke*	0.024	0.028	0.029	0.030	0.048	0.057	0.088	0.115

* total of all strokes

XLB-xxx-01 Foot mount

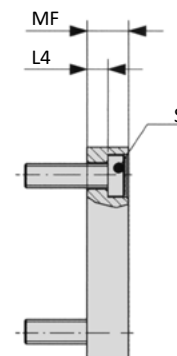
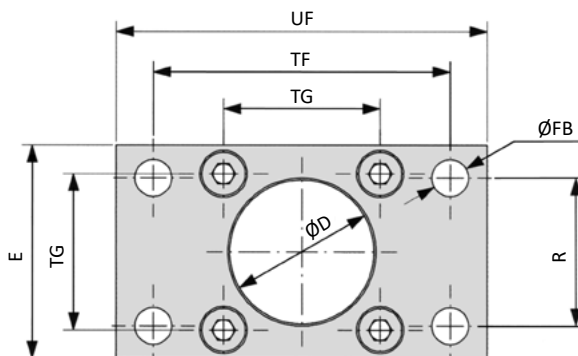
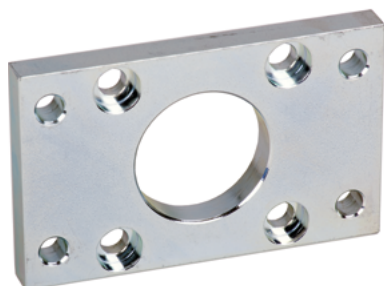
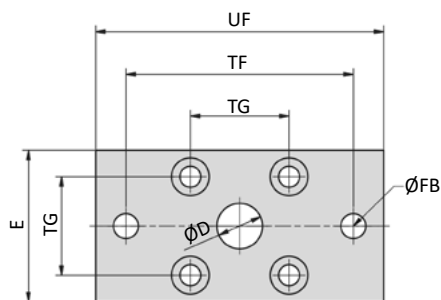


Model-no.:	Ø AB	AH	AO	AU	AT	E	L7	R2	S	TG	TG2	TR
XLB-032-01	7	32	11	24	4	45	30	15	M6 x 16	32.5	16.25	32
XLB-040-01	10	36	8	28	4	52	30	17.5	M6 x 16	38	19	36
XLB-050-01	10	45	15	32	5	65	36	20	M8 x 20	46.5	23.25	45
XLB-063-01	10	50	13	32	5	75	35	22.5	M8 x 20	56.5	28.25	50
XLB-080-01	12	63	14	41	6	95	47	22.5	M10 x 20	72	36	63
XLB-100-01	14.5	71	16	41	6	115	53	27.5	M10 x 20	89	44.5	75
<i>tolerances and adjustments</i>	H14	JS16		± 0.2				H15		± 0.2 *± 0.3		JS14

material: steel, zinc plated; 2 x 2 screws in accordance with EN ISO 4762 are included.

Series NYD Mounting accessories

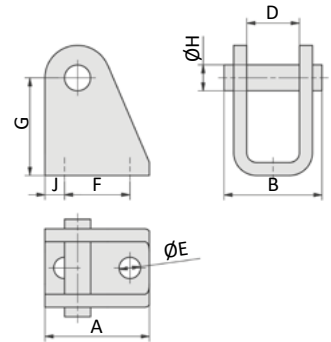
NXB-xxx-02, XLB-xxx-02 Flange mount



Model-no.:	Ø D	E	Ø FB	L4	MF	R	S	TF	TG	UF
NXB-020-02	12	36	6.6	4.6	10	-	M5 x 20	55*	22	70
NXB-025-02	12	40	6.6	4.6	10	-	M5 x 20	60*	26	76
XLB-032-02	30	45	7	5	10	32	M6 x 20	64	32.5	80
XLB-040-02	35	52	9	5	10	36	M6 x 20	72	38	90
XLB-050-02	40	65	9	6.5	12	45	M8 x 20	90	46.5	110
XLB-063-02	45	75	9	6.5	12	50	M8 x 20	100	56.5	120
XLB-080-02	45	95	12	9	16	63	M10 x 25	126	72	150
XLB-100-02	55	115	14	9	16	75	M10 x 25	150	89	170
<i>tolerances and adjustments</i>	H11		H13	- 0.5	JS14	JS14		*JS13 JS14	± 0.2	

material: steel, zinc plated; 4 screws in accordance with DIN 7984 are included.

RC-xx Clevis mount



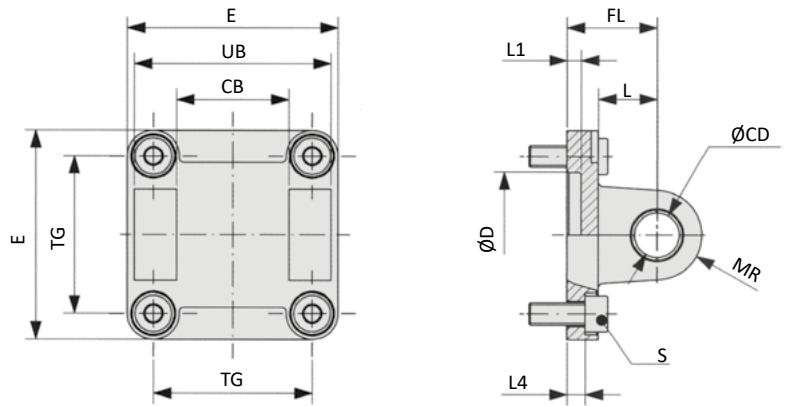
Model-no.:	A	B	D	Ø E	F	G	Ø H	J
RC-30	32	30	16.1	6.6	20	30	8	6

material: steel, zinc plated, 2 snap rings are included.

XLB-xxx-04 Clevis mount with bushing



Inclusive clevis pin
order no: **XLB-xxx-48**

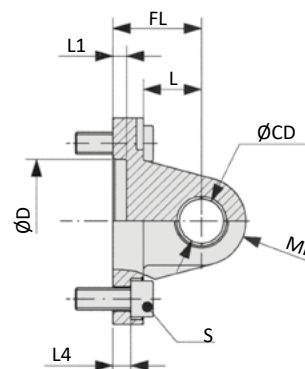
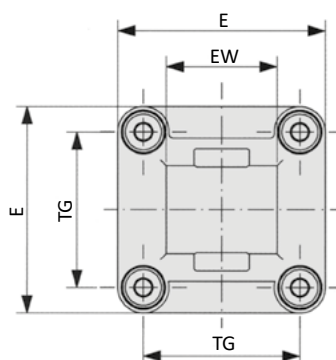


Model-no.:	CB	Ø CD	Ø D	E	FL	L	L1	L4	MR	S	TG	UB
XLB-032-04	26	10	30	45	22	13	5	5.5	10	M6 x 20	32.5	45
XLB-040-04	28	12	35	52	25	16	5	5.5	12	M6 x 20	38	52
XLB-050-04	32	12	40	65	27	16	5	6.5	12	M8 x 20	46.5	60
XLB-063-04	40	16	45	75	32	21	5	6.5	16	M8 x 20	56.5	70
XLB-080-04	50	16	45	95	36	22	5	10	16	M10 x 25	72	90
XLB-100-04	60	20	55	115	41	27	5	10	20	M10 x 25	89	110
<i>tolerances and adjustments</i>	H14	H9	H11		± 0.2			± 0.5			± 0.2	h13

materials: Al, bushing steel and PTFE; 4 screws in accordance with EN ISO 4762 are included.

Series NYD Mounting accessories

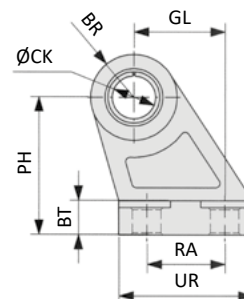
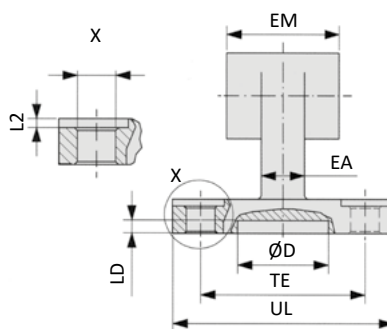
NXB-xxx-04, XLB-xxx-05 Swivel mount



Model-no.:	Ø CD	Ø D	E	EW	FL	L	L1	L4	MR	S	TG
NXB-020-04	8	12	34	16	20	14	3	2.6	8	M5 x 16	22
NXB-025-04	8	12	38	16	20	14	3	2.6	8	M5 x 16	26
XLB-032-05	10	30	45	26	22	13	5	5.5	10	M6 x 20	32.5
XLB-040-05	12	35	52	28	25	16	5	5.5	12	M6 x 20	38
XLB-050-05	12	40	65	32	27	16	5	6.5	12	M8 x 20	46.5
XLB-063-05	16	45	75	40	32	21	5	6.5	16	M8 x 20	56.5
XLB-080-05	16	45	95	50	36	22	5	10	16	M10 x 25	72
XLB-100-05	20	55	115	60	41	27	5	10	20	M10 x 25	89
<i>tolerances and adjustments</i>	H9	H11			± 0.2			± 0.5			± 0.2

materials: Al, bushing steel and PTFE (only XLB); 4 screws in accordance with EN ISO 4762 are included.

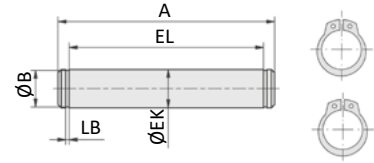
XLB-xxx-06 Swivel mount 90°



Model-no.:	BR	BT	ØCK	Ø D	EA	EM	GL	ØHB	L2	LD	PH	RA	TE	UL	UR
XLB-032-06	10	8	10	21	10	26	21	6.6	1.6	3	32	18	38	51	31
XLB-040-06	11	10	12	21	15	28	24	6.6	1.6	3	36	22	41	54	35
XLB-050-06	13	12	12	21	16	32	33	9	1.6	3	45	30	50	65	45
XLB-063-06	15	14	16	21	16	40	37	9	1.6	3	50	35	52	67	50
XLB-080-06	15	14	16	21	20	50	47	11	2.5	3	63	40	66	86	60
XLB-100-06	19	17	20	21	20	60	55	11	2.5	3	71	50	76	96	70
<i>tolerances and adjustments</i>			H9				JS14	H13			JS15	JS14	JS14		

material: Al, bushing steel and PTFE

XLB-xxx-08 Clevis pin



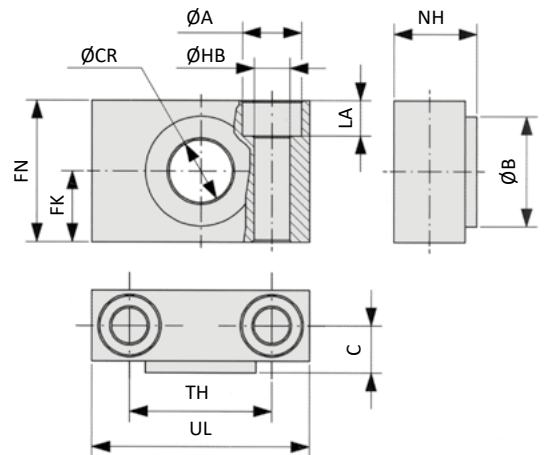
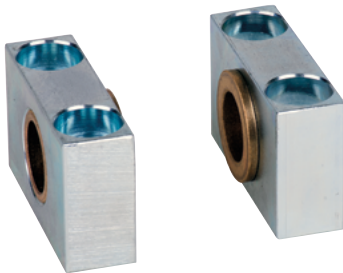
Model-no.:	A	Ø B	Ø EK	EL	LB
XLB-032-08	53	9.6	10	46	1.1
XLB-040-08	60	11.5	12	53	1.1
XLB-050-08	68	11.5	12	61	1.1
XLB-063-08	78	15.2	16	71	1.1
XLB-080-08	98	15.2	16	91	1.1
XLB-100-08	118	19	20	111	1.3

tolerances and adjustments

e8 + 2

material: steel, zinc plated; 2 snap rings are included.

XLB-xxx-09 Bearing block



Model-no.:	Ø A	Ø B	C	Ø CR	FK	FN	Ø HB	LA	NH	TH	UL
XLB-032-09	11	22	10.5	12	15	30	6.6	7	18	32	46
XLB-040-09	15	28	12	16	18	36	9	9	21	36	55
XLB-063-09	18	32	13	20	20	40	11	11	23	42	65
XLB-100-09	20	39	16	25	25	50	14	13	28.5	50	75

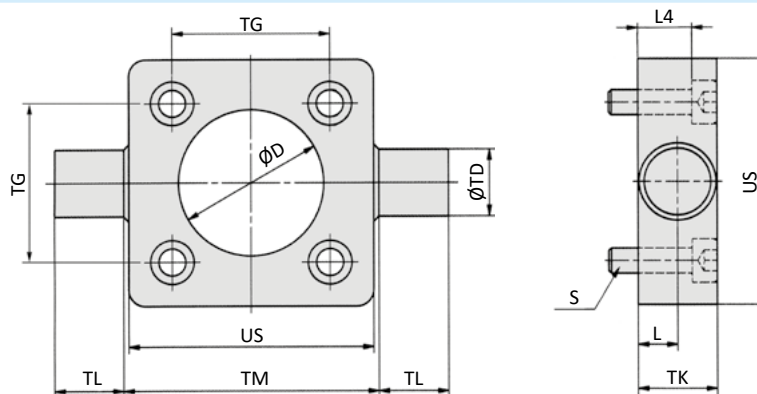
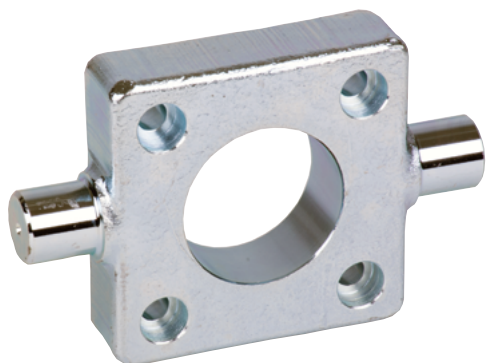
tolerances and adjustments

H9 ± 0.1 H13 ± 0.2

materials: Al, bronze bushing

Series NYD Mounting accessories

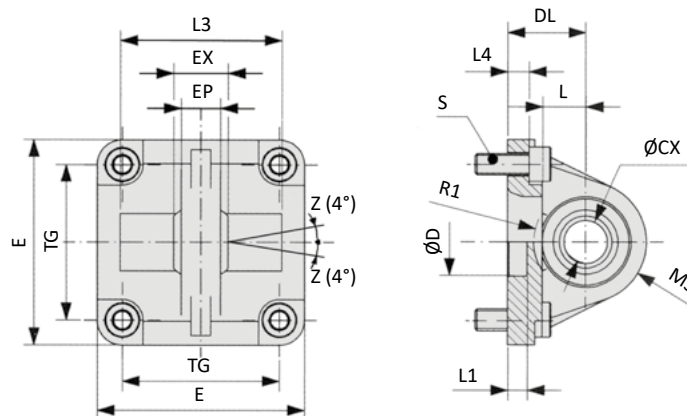
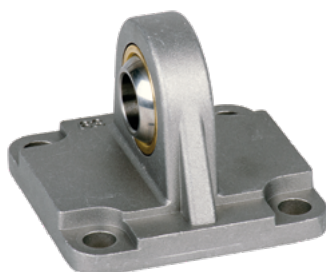
XLB-xxx-11 Trunnion mount



Model-no.:	Ø D	L	L4	S	Ø TD	TG	TK	TL	Ø TM	US
XLB-032-11	30	6.5	8	M6 x 20	12	32.5	14	12	50	46
XLB-040-11	35	9	13	M6 x 25	16	38	19	16	63	59
XLB-050-11	40	9	11	M8 x 25	16	46.5	19	16	75	69
XLB-063-11	45	11.5	16	M8 x 30	20	56.5	24	20	90	84
XLB-080-11	45	11.5	14	M10 x 30	20	72	24	20	110	102
XLB-100-11	55	14	19	M10 x 35	25	89	29	25	132	125
<i>tolerances and adjustments</i>	H 11	+ 0.2			e9	± 0.2		h14	h14	

material: steel, zinc plated; 4 screws in accordance with EN ISO 4762 are included.

XLB-xxx-12 Swivel mount with spherical bearing

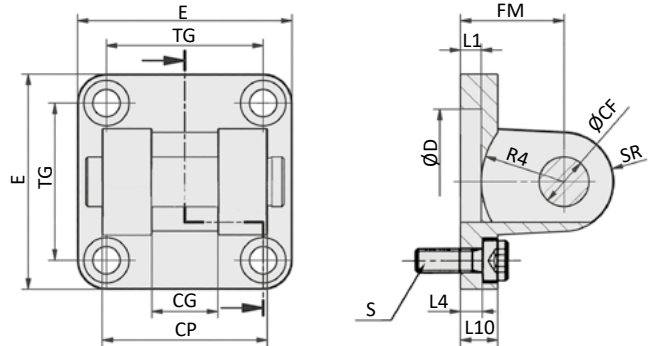
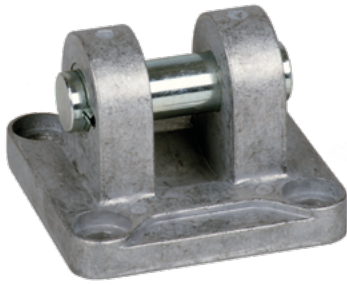


Model-no.:	Ø CX	Ø D	DL	E	EP	EX	L	L1	L3	L4	MS	R1	S	TG
XLB-032-12	10	30	22	45	10.5	14	12	7	-	5.5	16	-	M6 x 20	32.5
XLB-040-12	12	35	25	52	12	16	15	7	-	5.5	18	-	M6 x 20	38
XLB-050-12	16	40	27	65	15	21	15	7	51	6.5	21	19	M8 x 20	46.5
XLB-063-12	16	45	32	75	15	21	20	7	-	6.5	23	-	M8 x 20	56.5
XLB-080-12	20	45	36	95	18	25	20	9	74	10	28	24	M10 x 25	72
XLB-100-12	20	55	41	115	18	25	25	9	-	10	30	-	M10 x 25	89
<i>tolerances and adjustments</i>	H7	H11	± 0.2											± 0.2

materials: Al, bearing steel, bronze bushing; 4 screws in accordance with EN ISO 4762 are included.

Series NYD Mounting accessories

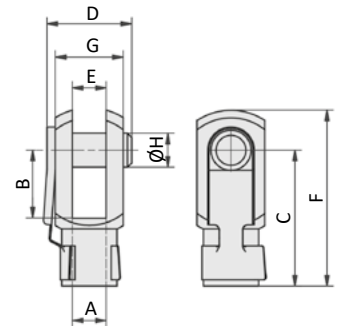
XLB-xxx-14 Clevis mount small with pin



Model-no.:	Ø CF	CG	CP	Ø D	E	FM	L1	L4	L10	R4	S	SR	TG
XLB-032-14	10	14	34	30	45	22	5	5.5	9	17	M6 x 20	10	32.5
XLB-040-14	12	16	40	35	52	25	5	5.5	9	20	M6 x 20	12	38
XLB-050-14	16	21	45	40	65	27	5	6.5	11	22	M8 x 20	14	46.5
XLB-063-14	16	21	51	45	75	32	5	6.5	11	25	M8 x 20	18	56.5
XLB-080-14	20	25	65	45	95	36	5	10	14	30	M10 x 25	20	72
XLB-100-14	20	25	75	55	115	41	5	10	14	32	M10 x 25	22	89
<i>tolerances and adjustments</i>	F7	D10	d12	H11		± 0.2		± 0.5					± 0.2

materials: Al, bushing steel and PTFE, Clevis pin aus steel, zinc plated; 4 screws in accordance with EN ISO 4762 are included.

RD-xx, FD-xx Rod clevis

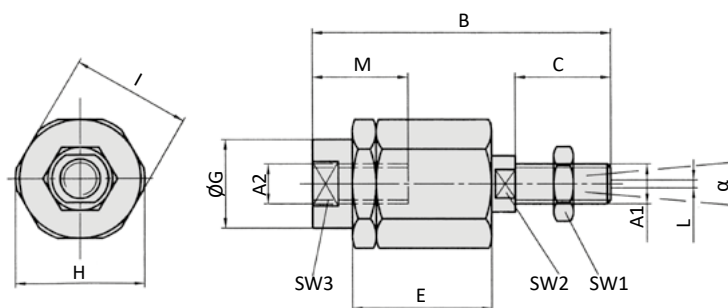


Model-no.:	for cylinder Ø	A	B	C	D	E	F	G	Ø H
RD-20	20, 25	M8	16	32	22	8	42	16	8
RD-25	32, 40	M10 x 1.25	20	40	26	10	52	20	10
FD-40	50, 63	M12 x 1.25	24	48	32	12	62	24	12
FD-63	80, 100	M16 x 1.5	32	64	40	16	83	32	16

material: steel, zinc plated

Series NYD Mounting accessories

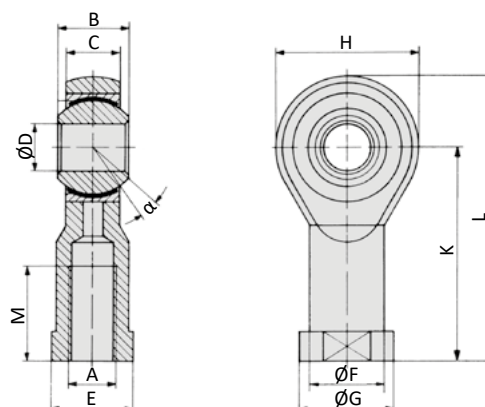
FK-xx Flexible coupling



Model-no.:	for cylinder	A1, A2	B	C	D	E	ØG	H	I	L	M	SW1	SW2	SW3	α
FK-20	20, 25	M8	57	21	5	26	12.5	19	17	2	16	13	7	11	8°
FK-32	32, 40	M10 x 1.25	71.5	20	7.5	35	22	32	30	2	22	17	12	19	8°
FK-40	50, 63	M12 x 1.25	75	24	7.5	35	22	32	30	2	22	19	12	19	8°
FK-63	80, 100	M16 x 1.5	104	32	10	53	32	45	41	2	30	24	20	27	6°

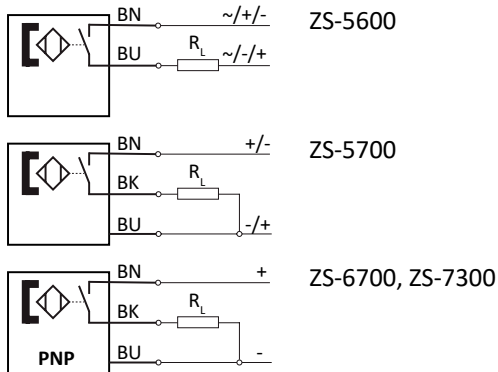
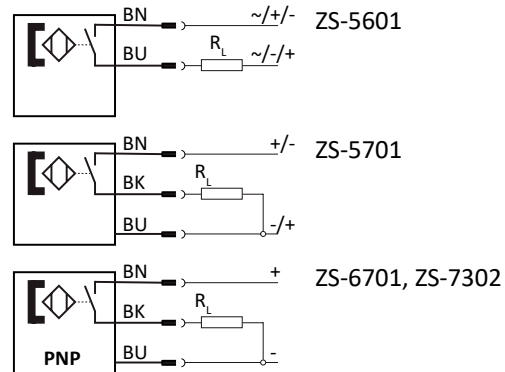
material: steel, zinc plated

RO-xx, FO-xx Rod eye



Model-no.:	for cylinder	A	B	C	ØD	E	ØF	ØG	H	K	L	M	α
RO-20	20, 25	M8	12	9	8	14	12.5	16	24	36	48	16	14°
RO-25	32, 40	M10 x 1.25	14	10.5	10	17	15	19	28	43	57	20	13°
FO-40	50, 63	M12 x 1.25	16	12	12	19	17.5	22	32	50	66	22	13°
FO-63	80, 100	M16 x 1.5	21	15	16	22	22	27	42	64	85	28	15°

materials: steel, zinc plated, bearing steel, bronze bushing

Proximity sensors with cable

Proximity sensors with plug

Technical data

Model-no.:	ZS-5600	ZS-5601	ZS-5700	ZS-5701
Design	2-pole Reed sensor	2-pole Reed sensor	3-pole Reed sensor	3-pole Reed sensor
Contact function	NO	NO	NO	NO
Rated operational voltage	5 ... 240 V AC / DC	5 ... 60 V AC / DC	5 ... 30 V DC	5 ... 30 V DC
Rated operational current I_E	3 ... 100 mA	3 ... 100 mA	≤ 500 mA	≤ 500 mA
Max. voltage drop at I_E	≤ 2.5	≤ 2.5	≤ 0.1	≤ 0.1
Breaking capacity	10 W	10 W	10 W	10 W
Cable length	3 m	0.3 m with M8 connection	5 m	0.3 m with M8 connection
Temperature range	-10 ... +70°C	-10 ... +70°C	-10 ... +70°C	-10 ... +70°C
Protection	IP 67	IP 67	IP 67	IP 67
Switching status indication	LED red	LED red	LED yellow	LED yellow
	-	-	II 3G Ex nA T4 II 3D Ex tD A22 IP67 T 125°C	II 3D Ex tc IIIC T125°C Dc X

Model-no.:	ZS-6700	ZS-6701	ZS-7300	ZS-7302
Design	3-pole inductive	3-pole inductive	3-pole inductive	3-pole inductive
Contact function	NO	NO	NO	NO
Output	PNP	PNP	PNP	PNP
Rated operational voltage	5 ... 30 V DC	5 ... 30 V DC	10 ... 30 V DC	10 ... 30 V DC
Rated operational current I_E	≤ 200 mA	≤ 200 mA	≤ 100 mA	≤ 100 mA
Max. voltage drop at I_E	≤ 1.0	≤ 1.0	≤ 2.5	≤ 2.5
Breaking capacity	6 W	6 W	3 W	3 W
Cable length	3 m	0.3 m with M8 connection	6 m	0.3 m with M12 connection
Temperature range	-10 ... +70°C	-10 ... +70°C	-20 ... +60°C	-20 ... +60°C
Protection	IP 67	IP 67	IP 67	IP 67
Switching status indication	LED green	LED green	LED yellow	LED yellow
	-	-	II 3G Ex nA T4 II 3D Ex tD A22 IP67 T 125°C	II 3D Ex tc IIIC T125°C Dc X

Series ZS

Proximity sensors

Cable with bushing for proximity sensors

Model-no.:	KA-30	KA-50	KA-51	KA-100	KA-101
Connection	M8, snap-in	M8, snap-in	M8, snap-in	M8, snap-in	M8, snap-in
Version	straight	straight	elbow 90°	straight	elbow 90°
Cable length	3 m	5 m	5 m	10 m	10 m

Mounting

The sensors are mounted at the groove of the cylinder profile. It is fixed by turning the fixing screw at the sensor clockwise. The cover stripe XLB-011 (see below) can be used for protecting the sensor cable.

Cover for sensor groove

Model-no.:	XLB-011
Design	plastic profile, 50 cm length, blue
For series	XL, NXD, NXE, NYD, NYE, NYSE, LX

